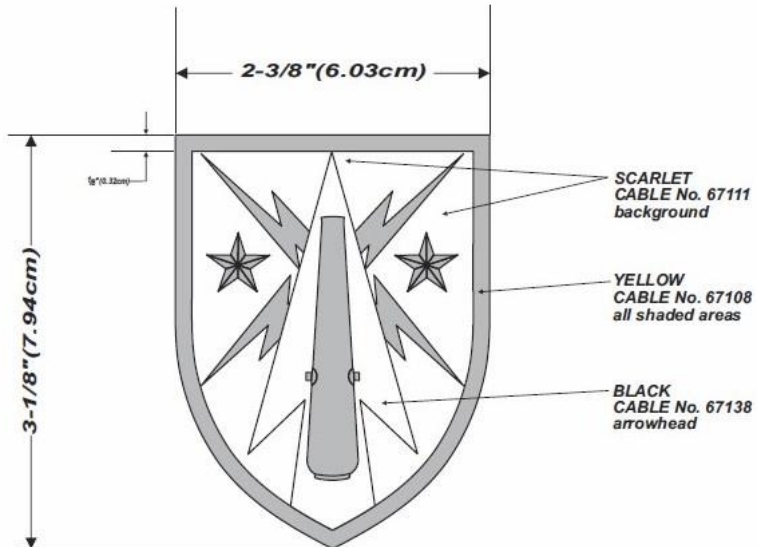


**FOR SUBDUED INSIGNIA**

**ACU:**  
 BLACK AND RED AREAS TO BE FOLIAGE GREEN  
 67202. BORDER, STARS, LIGHTNING BOLTS AND  
 CANNON TO BE BLACK 67138.

**REVISIONS**

LTR	DESCRIPTION	DATE	APPROVED
<b>B</b>	<b>STITCH COUNT ADDED.</b>	<b>17 AUG 2009</b>	<i>Charles V. Mugno</i> <b>CHARLES V. MUGNO</b> DIRECTOR



**DESIGNED FOR OVEREDGE STITCHING**

**STITCH COUNT**

**8530 STITCHES (minimum)**

**90/2 DENIER**

**12/4 SPAN**

**SUPERSEDES TIOH DWG. No A-1-999 DTD. 12 MAY 2009.**

UNLESS OTHERWISE SPECIFIED DIMENSIONS ARE IN INCHES TOLERANCES ON FRACTIONS DECIMALS ANGLES	EXAMINED		TLC		THE INSTITUTE OF HERALDRY, DEPARTMENT OF THE ARMY 9325 GUNSTON RD. S-113 FORT BELVOIR, VA 22060-5579 <b>SHOULDER SLEEVE INSIGNIA</b> <b>FIRES CENTER OF EXCELLENCE</b>
	CHECKED		SAO		
	PREPARED		CA		
	APPROVED		<i>Charles V. Mugno</i> CHARLES V. MUGNO DIRECTOR		
MATERIALS: TO BE MANUFACTURED IN ACCORDANCE WITH MIL-DTL-14652	SIZE	CONTROL IDENT. NO	<b>A 22571 A - 1 - 999</b>		
	SCALE	FULL	DATE	<b>10 JULY 2009</b>	